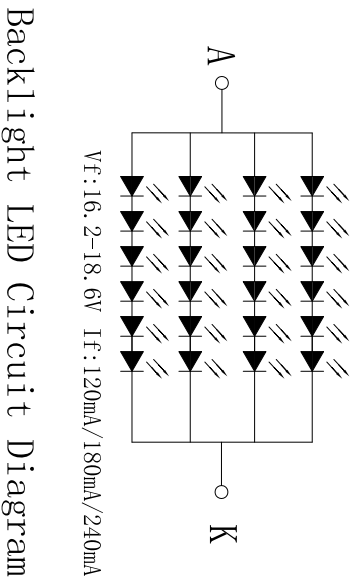


PIN	SYMBOL
1	GND
2	D0P
3	D0N
4	GND
5	D1P
6	D1N
7	GND
8	CLKP
9	CLKN
10	GND
11	D2P
12	D2N
13	GND
14	D3P
15	D3N
16	GND
17	GND
18	NC
19	NC
20	NC
21	NC
22	NC
23	NC
24	RSTB
25	STBYB
26	NC
27	GND
28	LEDK
29	LEDK
30	GND
31	NC
32	GND
33	GND
34	NC
35	LEDA
36	LEDA
37	GND
38	VDD 3.3V
39	VDD 3.3V
40	NC



Backlight LED Circuit Diagram

MIPPI

Display Type	7inch TFT/Normally Black/Transmissive
Display Resolution	DOTS:400*(R:G:B)*1280
Viewing Angle	ALL(IPS)
LCD Controller/Driver IC	01A7290B
Operation Temperature	-20°C ~ 70°C
Storage Temperature	-30°C ~ 80°C
Backlight Speciality	White LED=6S4P If=120mA(MIN),180mA(TYP),240mA VF=16.2V~18.6V
Unmarked tolerance:	±0.2mm
Materials and processes comply with "RoHS" standards	

REV	DESCRIPTION	DATE	NAME
1	First TO	2021.9.05	Helen

Part No: R7S401-4001280MT		Version: VER:V0	
Customer No:	Checked By:	Drawn By:	Scale: 1:1
Approved By:			Unit: mm
Description		Sheet: 1 of 1	

Rondeli Electronics CO., Ltd

